

Improvement of Capacity and QoE: Distributed Massive MIMO (DM-MIMO) Technology-5G

Devasis Pradhan^{1*}, A. Dash², Hla Myo Tun³, Naw Khu Say Wah³, Thandar Oo³

¹Assistant Professor, Department of Electronics and Communication Engineering, Acharya Institute of Technology, Bengaluru, Karnataka, India

²Global Research Consultant and IEEE Member, Departments of Electronics and Telecommunication Engineering, Biju Patnaik University of Technology (BPUT), Rourkela, Odisha, India

³Rector, Faculty of Electrical and Computer Engineering, Yangon Technological University, Yangon, Myanmar

*Corresponding Author: devasispradhan@acharya.ac.in

ABSTRACT

Distributed massive MIMO is an arising answer for improve 5G limit, throughput, and QoE inside. There are various ways to advance indoor execution. The indoor cell network should have totally different qualities and needs from its outside partner, yet a consistent encounter should be kept up with while moving between the two. New arrangements, like small cells and distributed antenna systems (DAS), have been added to every portable age to work on the presentation and quality of experience (QoE) for indoor clients. Notwithstanding, the goal lines are moved with each new age of purpose cases, and, surprisingly, more significant levels of execution and QoE are required. The improvement in the indoor experience needed in the 5G period should be extensive. The 5G guidelines empower the organizations to help tremendous quantities of clients or associated gadgets in little spaces (up to 1 million for each square kilometer), while consuming information at multi-gigabit speeds and with low idleness and high unwavering quality. This paper give a brief review on improvement in channel capacity and QoE using massiveness of MIMO technology for 5G environment in distributed manner.

Keywords- Capacity, 5G, MIMO, MU-MIMO, QoE

significant innovations that have been proposed for future remote organizations are small cells and massiveness of MIMO (M-MIMO) technology. Small cells can be utilized in blend with large scale cells to shape multi-level or heterogeneous networks (HetNets) that can give higher limit and quality than regular homogeneous network [1]. Then again, M-MIMO is an innovation where base stations (BSs) in a cell network are furnished with an enormous number of radio wires (up to two or three hundred) that can at the same time serve countless clients.

The business administration and network suppliers have considered different QoS measurements to streamline and improve their organization's exhibition. QoS measurements, for example, bundle misfortune rate, move deferral, throughput and inclusion are founded on specialized execution instead of clients' insight. That is what late examinations show albeit the ordinary specialized standards in light of the QoS are significant; they are not adequate for estimating the clients' insight. Truth be told, the clients' insight is impacted by both specialized and nontechnical (human-based) boundaries [2]. Consequently, for guaranteeing better client experience, specialist co-ops have been changing their concentration to saw start to finish quality, alluded as Quality of Experience (QoE).

MULTIPLE INPUT MULTIPLE OUTPUT (MIMO)

MIMO is an arrangement of various antenna plots that utilizes for transmitting as well as receiving data in order to communicate various transmissions to a remote medium and to

INTRODUCTION

In future of 5G network the clients will demand a greater number of information traffic and different administrations than today. Two

get different transmissions from a remote medium at the same time (Fig. 1). The recurrence range is a significant requirement of a wireless network. In the current correspondence network, a rapid information rate with better security is expected with an enormous inclusion region in a compelled climate of the restricted recurrence range. MIMO can meet this necessity. Numerous receiving antenna frameworks serve the various motivations behind a high velocity remote organization. It upgrades the immediate sign to-commotion proportion utilizing methods like shaft framing

to decrease the ergodic mistake likelihood, which brings about better connection unwavering quality [3-8].

A multiple antenna network is likewise reasonable for diminishing the varieties of the SNR utilizing variety procedures. MIMO expands the information rate by sending several data signals, in parallel mode of transmission; in a solitary channel with the equivalent send power utilizing spatial multiplexing which is only multiplexing of various parallel data signals in the space among transmitter and collector [8-10].

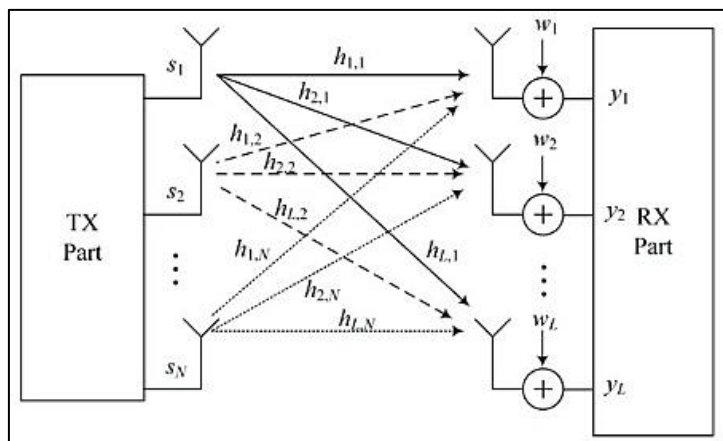


Figure 1: Basic MIMO structure for 5G communication system.

In order to understand the basic signal transmission and reception of signals using MIMO system the following equation are analyzed with suitable expression. Let us consider the set of transmitted signals

$$S = \{S_1, S_2, S_3, S_4, \dots, S_N\} \quad (1)$$

Set of received signals

$$Y = \{Y_1, Y_2, Y_3, Y_4, \dots, Y_N\} \quad (2)$$

$$\text{Then } Y = h * S + w \dots \quad (3)$$

Here w - white noise uniformly distributed throughout the spectrum of utilization for transmission of data. H-channel coefficient with a dimension of NXM

The equation (3) gives the mathematical equation for MIMO systems, where Y is a (Nx1) receive vector, S is a (Mx1) transmit vector, h or H is (NxM) channel coefficient matrix and w is (Mx1) additive white Gaussian noise (AWGN). The MIMO model can be re-arranged and shown with a suitable relationship between transmitter, receiver and channel during communication process.

$$\begin{bmatrix} y_1 \\ y_2 \\ y_3 \\ \vdots \\ y_N \end{bmatrix} = \begin{bmatrix} h_{11} & \dots & h_{1M} \\ \vdots & \ddots & \vdots \\ h_{N1} & \dots & h_{NM} \end{bmatrix} \begin{bmatrix} x_1 \\ x_2 \\ x_3 \\ x_4 \\ \vdots \\ x_M \end{bmatrix} + \begin{bmatrix} w_1 \\ w_2 \\ w_3 \\ w_4 \\ \vdots \\ w_N \end{bmatrix} \quad (4)$$

MASSIVE MIMO (M-MIMO)

Massive MIMO (which can likewise be alluded to as Huge Scope Radio wire Frameworks, Exceptionally Huge MIMO, Hyper MIMO, and Full-Aspect MIMO) possibly gives significant degrees of progress in throughput and energy proficiency using an huge number of receiving wires (e.g., hundreds or thousands) that are worked completely lucidly and . Huge MIMO was utilized for Time Division Duplex (TDD) activity, be that as it may, might possibly be applied likewise in Frequency Division Duplex (FDD) activity. Numerous antenna systems joined with multi-transporter frameworks give tremendous execution for a remote correspondence framework. MIMO-

OFDM utilizing unique a sort of FFT calculation is particularly helpful in 4G correspondence framework. With further developed elements of ordinary OFDM frameworks incorporated with

huge scope MIMO named Monstrous MIMO-OFDM is one of the most proficient strategies for 5G network. Fig. 2 depicts the massive MIMO system architecture [11-15].

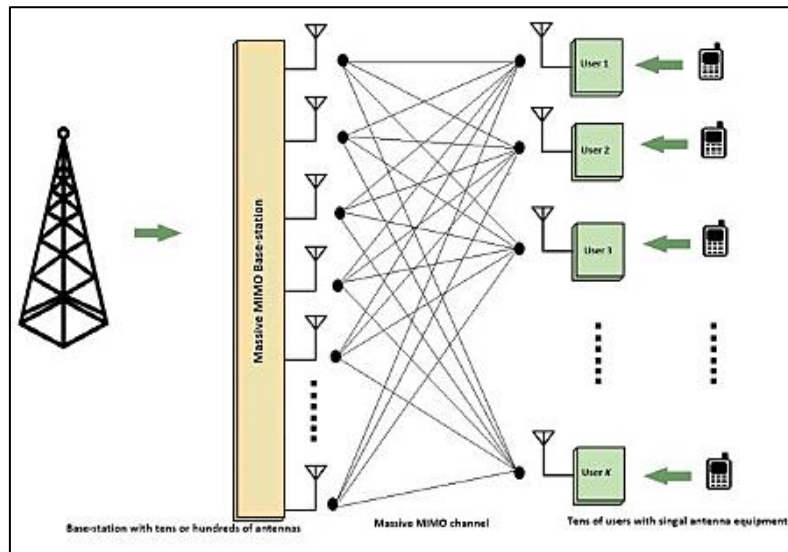


Figure 2: Basic massive MIMO system architecture.

MIMO additionally gives different advantages, for example, the broad utilization of inexpensive low-power parts, diminished idleness, rearrangements of the Media Access Control (Macintosh) layer, and heartiness of obstruction and sticking. An intriguing point about Enormous MIMO is that trials have up until this point not yet revealed any limits on the expected throughput which is genuinely subject to the engendering climate giving symmetrical channels to the terminals [18, 19]. The advantages of having different radio wires can be additionally improved when the handset knows the channel reaction of the correspondence interface. This data empowers the collector to intelligently join the got signals from all antennas, a method viewed as get consolidating. If this data is available on the transmitter side, the sign can be pre-handled to bring down the adjustment intricacy on the collector side [16-18].

Features of 5G Massive MIMO (5G-M-MIMO)

- **Information Rate:** Huge MIMO is educated as one with respect to the prevailing advancements to give remote rapid and high information rate in the gigabits each second.

- **The Connection between Wave Spectrum and Antenna Size:** Both are contrarily corresponding to one another. It implies lower recurrence signals need a greater antenna and tight clamp versa.
- **Various Clients:** From 1G to 4G innovation one cell comprises of 10 antennas. However, in 5G advances, one cell comprises of in excess of 100 radio wires. Consequently, one little cell simultaneously can deal with numerous clients [20-22].
- **MIMO Plays a Vital Role in 5G:** M-MIMO will assume an essential part in the sending of future 5G versatile correspondence as more noteworthy phantom and energy effectiveness could be empowered.

DISTRIBUTED MASSIVE MIMO (DM-MIMO)

DM-MIMO is an arising answer for improve 5G limit, throughput, and QoE inside. Massive MIMO is generally connected with outside base stations, whose limit is supported by utilizing varieties of at least 16 actual antennas joined with spatial multiplexing and beam forming. Similar ideas can be applied in an alternate ways to upgrade indoor execution. For this situation, the various antennas are coherent instead of physical and are dispersed over the

phone with the goal that a client will constantly be near no less than one antenna [22-26].

Features of DM-MIMO

- DM-MIMO identify different dispersed antenna into a solitary coherent cell thus can match the limit of a full scale dynamic antenna unit.
- Making a solitary cell with a huge number disseminated all through it will likewise address the impedance issues found with cell parting, and spatial multiplexing and beam forming will additionally further develop QoE.
- In preliminaries that contrasted appropriated massive MIMO and four-way cell parting, the previous conveyed information rates that depended on 300% higher on the down link and 200% higher on the up link. Top cell limit was 3-4 times higher on up link and down link for circulated huge MIMO.

CHANNEL CAPACITY

Channel Capacity is one of the primary estimations to describe the presentation of remote frameworks, and it likewise fills in as a manual for appropriately plan the sent signs as well as the handling of the got signals [18, 19]. Different execution about the utilization of numerous antennas was viewed as to concentrate on the most proficient limit increment. Antenna can be added to the transmitter, to the recipient, or to the two sides of the transmission framework. As per the capacity equation stated by Shannon i.e.,

$$C = B * \log_2(1 + \frac{ph^2}{B * w_0}) \tag{5}$$

Where *c* is the channel capacity in bits per second, *B* is the bandwidth of the channel in hertz, *p* is the symbol power, *h* is the channel gain, and *w₀* is the noise variance. The above equation is further disseminated to

$$C = \log_2(1 + SNR) \tag{6}$$

Table 1: Discuss about the improvement of channel capacity.

S. No.	Type of System	No. of Antenna	Channel Coefficient	Channel Capacity	Constant Factor Enhance the Channel Capacity
1	SISO	1X1	1	$C = \log_2(1 + SNR)$	1
2	SIMO	1XM	h	$C = \log_2(1 + R * SNR)$	$R = \sum_{r=1}^R h^2$ R-Receiver Constant
3	MISO	NX1	h	$C = \log_2(1 + T * SNR)$	$T = \sum_{t=1}^T h^2$ T-Transmitter Constant
4	MIMO	NXM	h	$C = \sum_{k=1}^s [\log_2(1 + SNR)]^2$	$C = S * \log_2(1 + SNR)$ $S = \sum_{k=1}^s ()^2$
5	Massive MIMO	N' X M'	h	$C = S' * \log_2(1 + SNR)$	$C = S * \log_2(1 + SNR)$ $S = \sum_{k=1}^s ()^2$

The above Table 1 gives the enchantment of channel capacity in distributed massive MIMO with respect to other for indoor communication. It also helps to analyze the increase of transmitting and receiving antenna helps to increase the channel capacity.

IMPROVEMENT IN QoE

QoE is a choice related metric that is a significant component for future LTE frameworks. We utilize utility capabilities to portray QoE for multi-clients in fluctuated applications. The QoE of client i th can be communicated by $Q(\cdot)$ which is the quality capability of frameworks. In this part, we utilize a QoE capability, like [13-15]. It finishes up an inward capability of the rates. For a multi-client i th under a similar base station, relating to the rate R_i , the QoE of client i th can be portrayed as:

$$Q_i(R_i) = \frac{\ln(1+R_i)}{\ln(1+R_i^{requesting})} \quad (7)$$

Here $R_i^{requesting}$ is the requesting data for i th user.

RESULTS AND DISCUSSION Channel Capacity Vs. No. of Antenna With Respect to SNR

MIMO is better compared to only a communicate and-get variety plot. Look at the 2×2 variety plan to a 2×2 MIMO framework. A 2×2 send and-get variety plot gives $4 \times$ the sign power ($2 \times$ from the transmitter and $2 \times$ from the collector), which is comparable to a 6-dB SNR improvement. At poor SNR values, the expanded sign yields esteem, however at around 2-dB SNR, the MIMO case surpasses and dominates the variety plot (Fig. 3) [27-30].

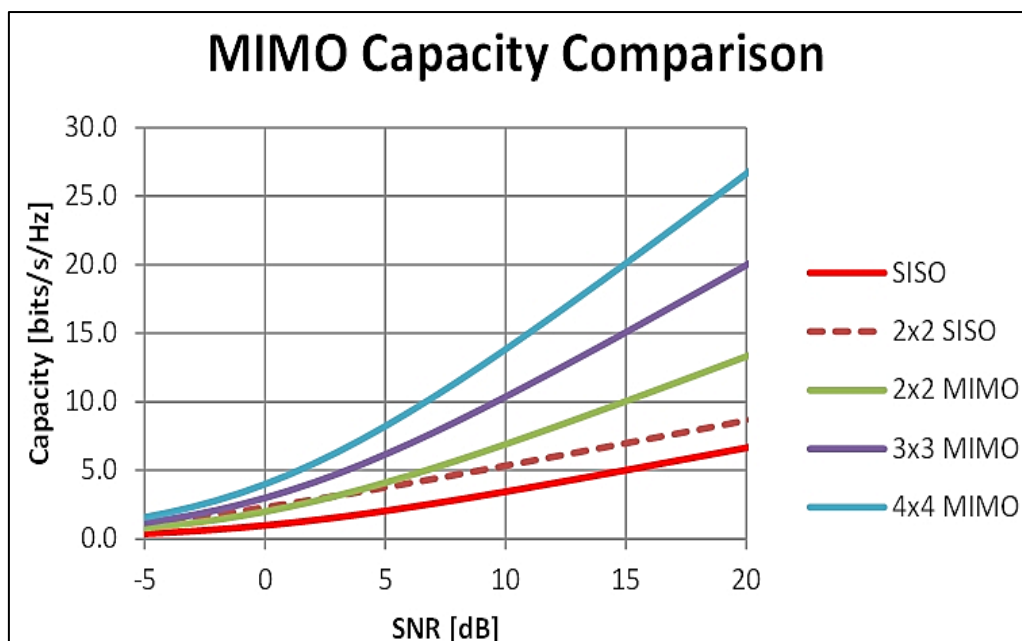


Figure 3: Comparison of MIMO channel capacity.

Even we see that MIMO limit develops straightly regarding the quantity of antennas and it is roughly M times bigger than SISO limit (M number of radio wires). For MISO, the exhibition gain is unimportant when the quantity of communicate antenna increments. For SIMO framework it is more proficient than SISO and MISO framework which goes from 1 to 3.4 bps/Hz. also, other remaining parts associated with the worth 1 bps/Hz; it stays low with a rising number of radio wires, which represents the limits of SISO MISO transmissions. We can

think about the varieties of the limit of SIMO and MIMO frameworks in view of the quantity of radio wires for a SNR of 15dB (for instance). Further developed limit is more articulated for high SNR. For a SIMO framework, the limit follows the logarithmic pattern when we increase the quantity of antennas at the gathering while the MIMO framework increments straightly when we increment the quantity of transmitting and receiving antenna (Fig. 4) [31, 32].

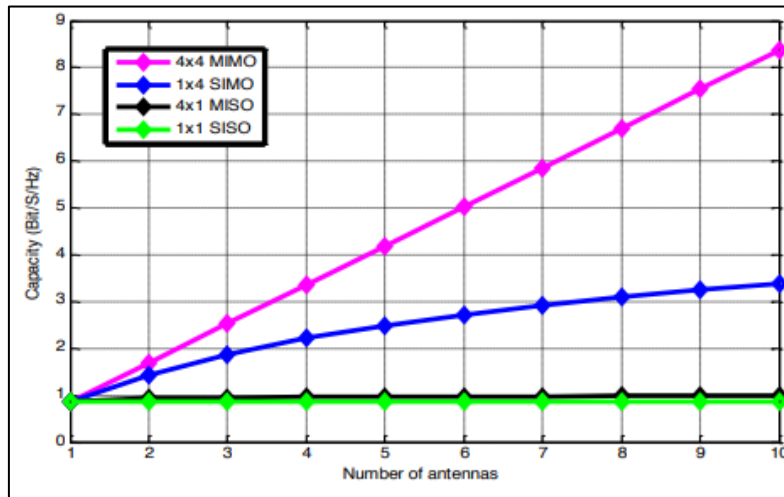


Figure 4: Improvement of channel capacity vs. no. of antenna used for SISO, MISO, SIMO and MIMO system.

At the point when we think about these three sets of antenna ($N_{TA}=M_{RA}=2$), ($N_{TA}=M_{RA}=4$) and ($N_{TA}=M_{RA}=3$), ($N_{TA}=M_{RA}=6$) and ($N_{TA}=M_{RA}=4$), ($N_{TA}=M_{RA}=8$) we observe that MIMO limit is multiplied twice; MIMO limit then increments considerably more quickly with

the SNR, to wrap up with an increase of more than half at 20 dB SNR. After that when we take a gander at the sets of radio wires ($N_{TA}=M_{RA}=6$), ($N_{TA}=M_{RA}=12$) MIMO limit then, at that point, increments considerably more quickly with the SNR, to wrap up with a acquire of over 70% at 20 dB SNR (Fig. 5).

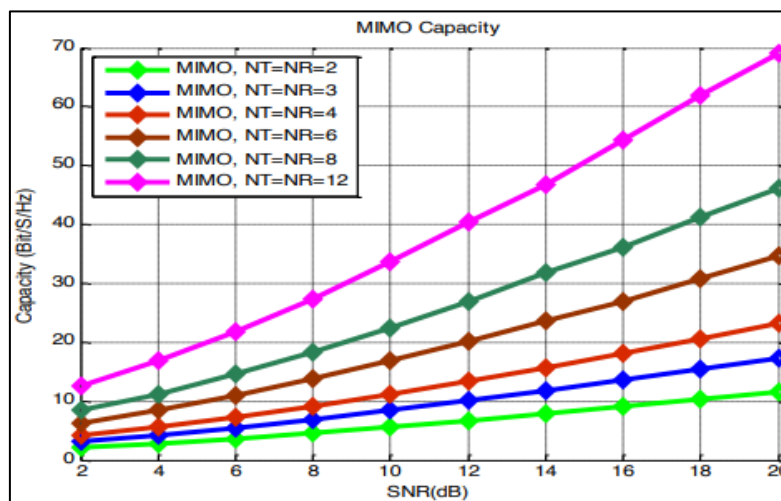


Figure 5: Distributed massive MIMO (DM-MIMO) channel capacity vs. SNR with respect to variation of no. of transmitting and receiving antenna.

QoE of DM-MIMO

The framework power imperative is -120 dB/Hz. Under the given power requirement in every transmission capacity, power can be communicated as $P_t = 200$ mW, of which has a transfer speed of 100 kHz. We can indicate the way misfortune con-strain is $\gamma = 2.45$. Besides, α is a Rayleigh blurring variable. For each schedule opening i th, the streamlining

framework can be naturally moved. At the point when the transmission power is diminished, the outcome can be shown will be made. This recreation can be displayed in Fig. 6, where the PSNR is applied under this worth. At the point when the worth of force is diminished, the outcome can be shown will be made. This reproduction to can be displayed in Fig. 6, where the PSNR is applied f under this worth.

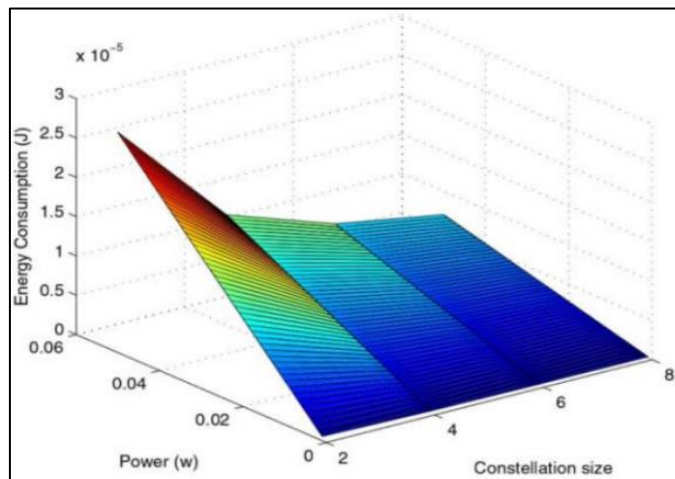


Figure 6: Energy consumption with different power and constellation size.

CONCLUSION

In this examination, we have endeavored to give an unmistakable picture of the impact of utilizing different radio wires on the Limit of remote correspondence frameworks by utilizing Matlab Program. Results produced show the connection between Number of antenna and channel capacity our outcomes show that expanding the number of communicating and receiving antenna for a DM-MIMO channel truly does to be sure further develop the channel capacity furthermore, execution of QoE with above relation stated that can be acquired. The framework increments capacity contrasted with conventional single-connection and variety interface frameworks. Moreover, limit scales with the quantity of antenna components. It is an expandable framework eventually restricted by signal handling power and the expense/space impediments of various handsets and antenna. The following portion of this series investigates multi-client and distribute massive MIMO (DM-MIMO) frameworks.

REFERENCES

1. C Manikandan, P Neelamegam and E Divya (2015). OFDM techniques for MIMO-OFDM system: A review, *Indian Journal of Science and Technology*, 8(22), Available at: https://www.researchgate.net/publication/281651398_OFDM_Techniques_for_MIMO-OFDM_System_A_Review.
2. M Kasiselvanathan and S N Kumar (2015). BER performance analysis and comparison of large scale MIMO receiver, *Indian*

Journal of Science and Technology, 8(35), 1-5, Available at:

<https://dx.doi.org/10.17485/ijst/2015/v8i35/81073>.

3. D Pradhan (2018). Massive MIMO technique used For 5th generation system with smart antenna, *International Journal of Electrical, Electronics and Data Communication*, 6(7), 81-87, Available at: https://www.researchgate.net/publication/327793024_Massive_MIMO_Technique_used_for_5th_Generation_System_with_Smart_Antenna.
4. H Kumar Sinha, et al. (2022). Comparative analysis of papr using PTS and SLM reduction techniques for 5g communication system, *Asian Journal of Convergence in Technology*, 8(2), Available at: <https://doi.org/10.33130/AJCT.2022v08i02.011>.
5. Y Shivam, et al. (2021). A detail survey of channel access method for cognitive radio network (CRN) applications toward 4G, *South Asian Research Journal of Engineering and Technology*, 3(1), 31-41, Available at: https://sarpublish.com/media/articles/SARJET_31_31-41.pdf.
6. D Pardhan (2017). Circular patch with circular slit patch antenna used for ultra-wide band application, *International Journal of Electrical, Electronics and Data Communication*, 5(2), 84-87, Available at: http://ijeedc.iraj.in/paper_detail.php?paper_id=7095.
7. H Myo Tun, et al. (2021). Slotted design of rectangular single / dual feed planar microstrip patch antenna for SISO and MIMO system. *2021 International*

- Conference on Electrical, Computer and Energy Technologies (ICECET)*. IEEE, Available at: <https://doi.org/10.1109/ICECE T52533.2021.9698738>.
8. GVS Brijesh, et al. (2022). Detection of SAR and penetration depth of EM waves on human body with respect to cellular 4G/LTE base stations, *Asian Journal of Convergence in Technology*, 8(2), 9-14, Available at: <https://asianssr.org/index.php/ajct/article/view/1219/897>.
 9. D Pradhan, H M Tun and A K Dash (2022). IoT: Security & challenges of 5G network in smart cities, *Asian Journal for Convergence in Technology*, 8(2), 45-50, Available at: <https://doi.org/10.33130/AJCT.2022v08i02.010>.
 10. D Pradhan and A Dash (2020). An overview of beam forming techniques toward the high data Rate accessible for 5G networks, *International Journal of Electrical, Electronics and Data Communication*, 8(12), 1-5, Available at: https://www.researchgate.net/publication/349759338_An_Overview_of_Beam_Forming_Techniques_Toward_the_High_Data_Rate_Accessible_for_5G_Networks.
 11. W Mar Oo, et al. (2022). Design, analysis and fabrication of dual band microstrip patch antenna for (L2) band GPS and WiFi applications. *2022 International Conference for Advancement in Technology (ICONAT)*. IEEE, Available at: <https://doi.org/10.1109/ICONAT53423.2022.9725872>.
 12. P Khande, et al. (2021). An overview of algorithms for adaptive beam forming (ABF) for smart antenna system (SAS), *South Asian Research Journal of Engineering and Technology*, 3(1), 23-30, Available at: https://www.sarpublication.com/media/features_articles/SARJET_31_23-30.pdf.
 13. H. W. Singh, et al. (2022). PoD Vs SNR estimation: C-MIMO radar using STC and STAP algorithm. *2022 IEEE Region 10 Symposium (TENSYP)*. IEEE, Available at: <https://doi.org/10.1109/TENSYP54529.2022.9864415>.
 14. P R Pawar, et al. (2022). Comparative study between energy detection method and matched filter detection for spectrum sensing in intelligent network intended towards 3G/4G/Volte, *International Journal of Electrical, Electronics and Data Communication*, 10(1), 15-21, Available at: https://www.researchgate.net/publication/360235428_Comparative_Study_Between_Energy_Detection_Method_and_Matched_Filter_Detection_for_Spectrum_Sensing_in_Intelligent_Network_Intended_Towards_3g4g_Volte.
 15. D Pradhan, et al. (2021). Sustainability of 5G green network toward D2D communication with RF- energy techniques. *2021 International Conference on Intelligent Technologies (CONIT)*. IEEE, Available at: <https://doi.org/10.1109/CONIT51480.2021.9498298>.
 16. D Pardhan (2019). Design of extended circular patch with rectangular stub and circular slit used for ultra-wide band application (X-Band), *IOSR Journal of Applied Physics (IOSRJAP)*, 11(4), 14-24, Available at: <https://iosrjournals.org/iosr-jap/papers/Vol11-issue4/Series-2/C1104021424.pdf>.
 17. P Khande, et al. (2021). Comparative analysis of adaptive beam forming (ABF) algorithms for smart antenna system (SAS), *International Journal of Advance Computational Engineering and Networking (IJACEN)*, 9(7), 13-21, Available at: https://www.researchgate.net/publication/355697560_COMPARATIVE_ANALYSIS_OF_ADAPTIVE_BEAM_FORMING_ABF_ALGORITHMS_FOR_SMART_ANTENNA_SYSTEM_SAS.
 18. L Dai, Z Wang and Z Yang (2013). Spectrally efficient time-frequency training OFDM for mobile large-scale MIMO systems, *IEEE Journal on Selected Areas in Communications*, 31(2), 251-263, Available at: <https://doi.org/10.1109/JSAC.2013.130213>.
 19. S Yadav, et al. (2021). Comparative analysis of BER and PAPR for OFDM, OFDM-CDMA, OFDM-MC-CDMA & OFDM-IDMA systems, *International Journal of Advance Computational Engineering and Networking*, 9(7), 6-12, Available at: https://www.researchgate.net/publication/355697567_COMPARATIVE_ANALYSIS_OF_BER_AND_PAPR_FOR_OFDM_OFDM-CDMA_OFDM-MC-CDMA_OFDM-IDMA_SYSTEMS.
 20. Y Ngok Ruyue Li, et al. (2020). Beam management in millimeter-wave communications for 5G and beyond, *IEEE Access*, 9, 13282-13293, Available at:

- <https://doi.org/10.1109/ACCESS.2019.2963514>.
21. B Yang B, et al. (2018). Digital beamforming-based massive MIMO transceiver for 5G millimeter-wave communications, *IEEE Transactions on Microwave Theory and Techniques*, 66(7), 3403-3418, Available at: <https://doi.org/10.1109/TMTT.2018.2829702>.
 22. S Chander Verma, T M Tejaswini and D Pradhan (2019). Harmful effects of 5G radiations: Review, *International Journal of Industrial Electronics and Electrical Engineering*, 7(3), 59-63, Available at: https://www.researchgate.net/publication/332267703_HARMFUL_EFFECTS_OF_5G_RADIATIONS_REVIEW.
 23. D Pradhan and K C Priyanka (2019). Effectiveness of spectrum sensing in cognitive radio toward 5G technology, *Saudi Journal of Engineering and Technology*, 4(12), 473-485, Available at: https://saudijournals.com/media/articles/SJ_EAT_412_473-785_FT.pdf.
 24. PP Jain, et al. (2019). Narrowband spectrum sensing in cognitive radio: Detection methodologies, *International Journal of Computer Sciences and Engineering*, 7(11), 105-113, Available at: https://www.ijcseonline.org/pub_paper/15-IJCSE-07734-129.pdf.
 25. A Boukharouba, M Dehemchi and A Bouhafer (2021). Low-complexity signal detection and precoding algorithms for multiuser massive MIMO systems, *SN Applied Sciences*, 3, Available at: [https://link.springer.com/article/10.1007/s42452-020-04085-z#citeas~:text=%2C%20169%20\(2021\).-https%3A%2F%2Fdoi.org%2F10.1007%2Fs42452%2D020%2D04085%2Dz,-Download%20citation.](https://link.springer.com/article/10.1007/s42452-020-04085-z#citeas~:text=%2C%20169%20(2021).-https%3A%2F%2Fdoi.org%2F10.1007%2Fs42452%2D020%2D04085%2Dz,-Download%20citation.)
 26. M Soleimani, et al. (2020). Hybrid beamforming for mmWave massive MIMO systems employing DFT-assisted user clustering, *IEEE Transactions on Vehicular Technology*, 69(10), 11646-11658, Available at: <https://doi.org/10.1109/TVT.2020.3015787>.
 27. R Magueta, et al. (2020). Iterative analog-digital multi-user equalizer for wideband millimeter wave massive MIMO systems, *Sensors*, 20(2), Available at: <https://doi.org/10.3390/s20020575>.
 28. T Xie, et al. (2018). Geometric mean decomposition based hybrid precoding for millimeter-wave massive MIMO, *China Communications*, 15(5), 229-238, Available at: <https://doi.org/10.1109/CC.2018.8388000>.
 29. J Zhang, et al. (2018). On low-resolution ADCs in practical 5G millimeter-wave massive MIMO systems, *IEEE Communications Magazine*, 56(7), 205-211, Available at: <https://doi.org/10.1109/MCO.2018.1600731>.
 30. F Liu, et al. (2019). Two-stage hybrid precoding algorithm based on switch network for millimeter wave MIMO system, *Progress In Electromagnetics Research M*, 77, 103-113, Available at: <http://www.jpier.org/PIERM/pier.php?paper=18102801>.
 31. D Pradhan and K C Priyanka (2020). RF-energy harvesting (RF-EH) for sustainable ultra dense green network (SUDGN) in 5G green communication, *Saudi Journal of Engineering and Technology*, 5(6), 258-264, Available at: https://saudijournals.com/media/features_articles/SJEAT_56_258-264_c.pdf.
 32. D. Pradhan and K. C. Priyanka (2020). A comprehensive study of renewable energy management for 5G green communications: Energy saving techniques and its optimization, *Journal of Seybold Report*, 25(10), 270-284, Available at: https://www.researchgate.net/publication/344516939_A_Comprehensive_Study_of_Renewable_Energy_Management_for_5G_Green_Communications_Energy_Saving_Techniques_and_Its_Optimization.