

CBCS SCHEME

17AU45

Fourth Semester B.E. Degree Examinations, Jan./Feb. 2021

AUTOMOBILE ENGINEERING (AU)

COMPUTER AIDED MACHINE DRAWING

Time: 3 Hours

Max. Marks: 100

- Note:**
1. Answer any ONE question from each of the parts A, Band C.
 2. Use **FIRST ANGLE** projection only.
 3. Missing data if any may suitably Assumed.
 4. All the calculations should be on answer sheet supplied.
 5. All the dimensions are in mm.
 6. **Part C Assembled View should be in 3D and other 2 views in 2D.**

Sl. No.	Question	Marks
Part-A		
Q.No.1	A Square prism of 45mm sides of base and 90mm axis length rest with its base on HP such that one of its rectangle faces is inclined at 30° to VP and at nearer to it. It is cut by a section plane inclined at 60° to the HP and perpendicular to the VP passes through the axis at the height of 70mm. Draw the front view and sectional top view, Project a true shape of the section.	20
Q.No.2	Following figure shows a machine component. Draw the following views : a) Front View b) Top View c) Right side view	20

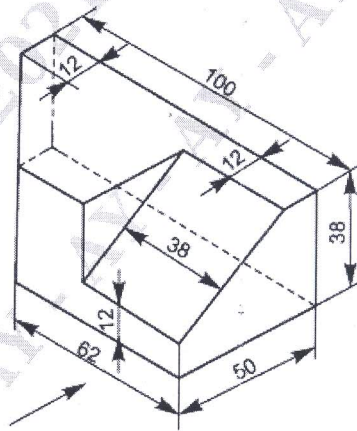
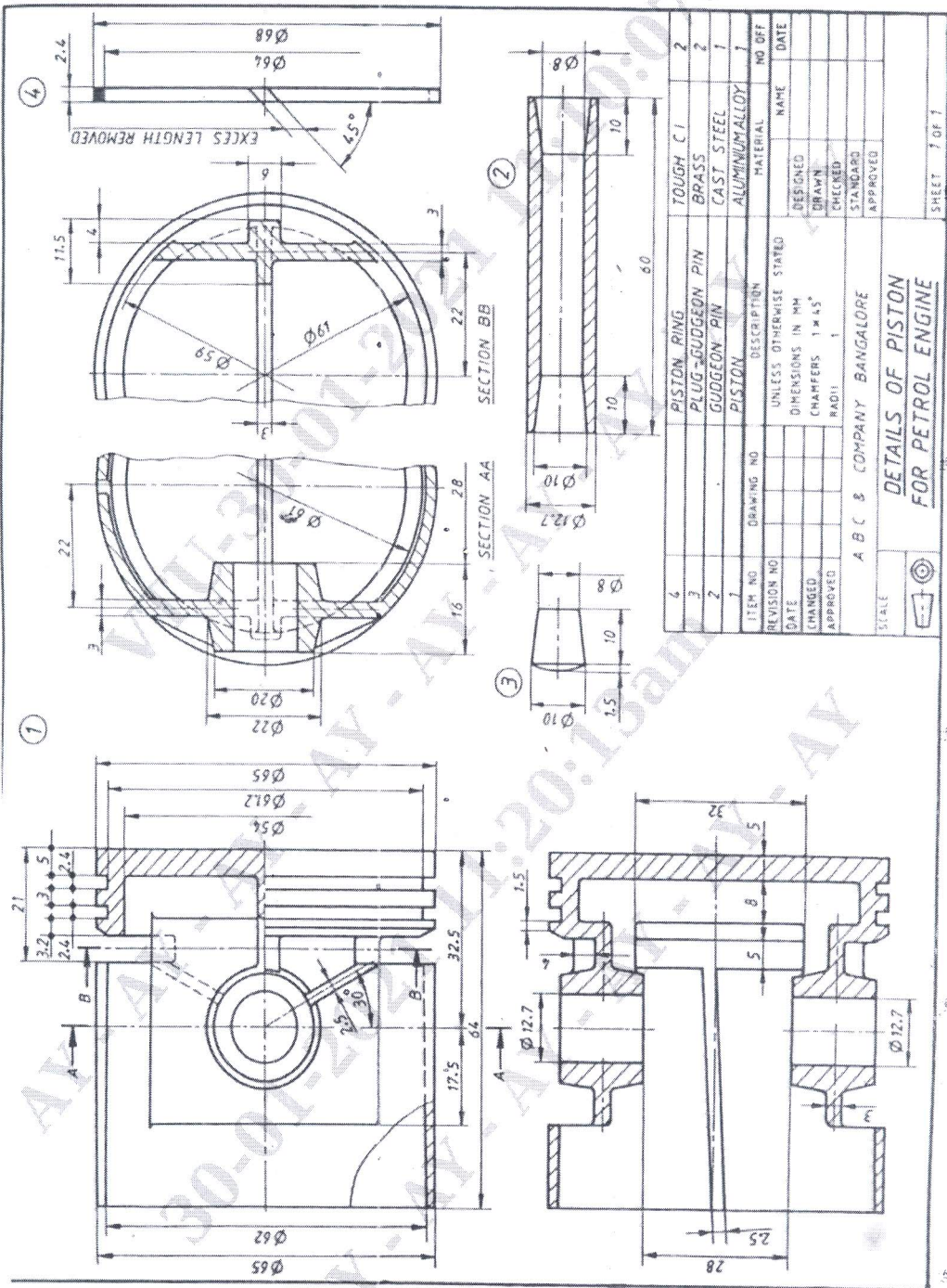


Figure 1.

Part -B		
Q.No.3	Sketch sectional front and top views of the double riveted Zig-Zag joint with double straps, taking $t=10\text{mm}$. Indicate dimensions.	20
Q.No.4.	Sketch sectional front and side views of a protected type flange coupling to connect two shafts of diameter 25mm. Indicate dimensions.	20
Part -C		
Q.No.5	Draw a Half sectional front view and top of a Plummer block assembly (Fig: 2)	60
Q.No.6	Draw a Half sectional front view and top of a Piston assembly (Fig: 3)	60



Details of a Petrol Engine Piston

Fig: 3 Details of Piston