

USN

18ME36A/18MEA306/18MA36

Third Semester B.E. Degree Examination, December 2019

COMPUTER AIDED MACHINE DRAWING

Time: 3 Hours

Max. Marks: 100

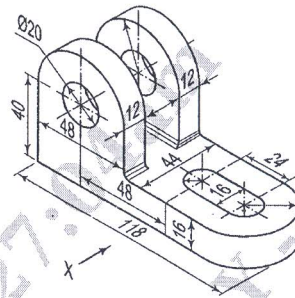
- Note: 1. Answer any one question from each of the parts A, B, C
2. Use **FIRST ANGLE** projection only.
3. Missing data if any may suitable be assumed
4. All the calculations should be on answer sheet supplied
5. All the dimensions are in mm
6. Part C Assembled View should be in 3D and the other 2 views in 2D

PART-A

Q. No. 1 Figure shows a machine component. Draw the following:

(25 Marks)

- (a) Front view
(b) Top view and
(c) Side view from left



Q. No. 2 Draw two views of Hexagonal headed bolt with nut of size M25 X 120

(25 Marks)

PART-B

Q. No. 3 Draw two views of socket and spigot cotter joint of diameter of shaft 25mm.

(25 Marks)

Q. No. 4 Draw two views of a pin type Flexible coupling of diameter of shaft of 25mm.

(25 Marks)

PART-C

Q. No. 5 Figure: 1 Shows the details of "Screw Jack". Assemble the parts and draw the following: a) Sectional front view b) Top view.

(50 Marks)

Q. No. 6 Figure: 2 Shows the details of "Tool head of shaper". Assemble the parts and draw the following: a) Sectional front view b) Top view

(50 Marks)

| | | | | | | | | | |
|-----|--|--|--|--|--|--|--|--|--|
| USN | | | | | | | | | |
|-----|--|--|--|--|--|--|--|--|--|

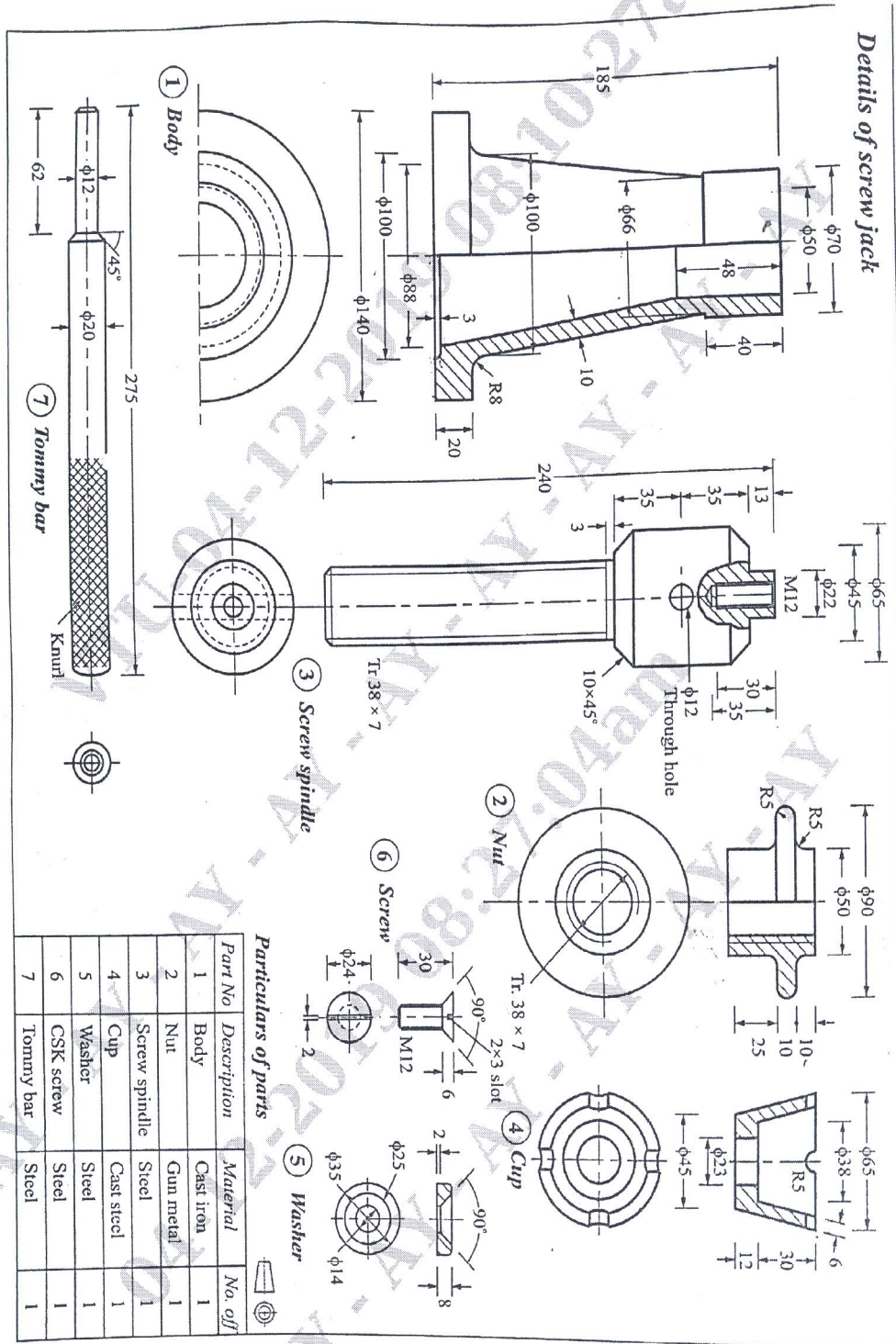


Figure 1: Details of Screw Jack

