

CBCS SCHEME

USN

--	--	--	--	--	--	--	--	--	--

15CV81

Eighth Semester B.E. Degree Examination, June/July 2019 Quantity Surveying and Contracts Management

Time: 3 hrs.

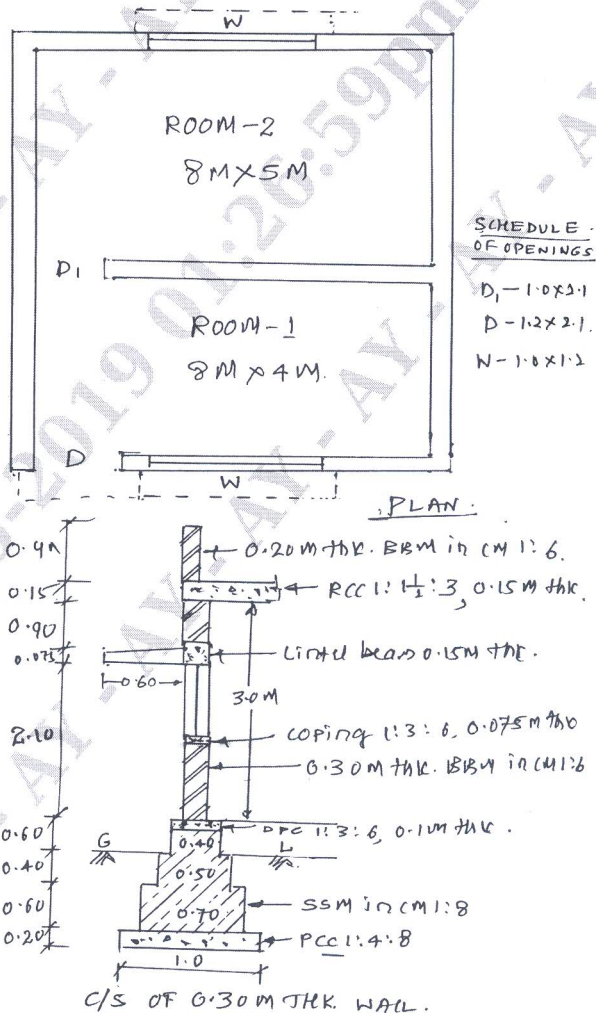
Max. Marks: 80

Note: Answer any FIVE full questions, choosing ONE full question from each module.

Module-1

- 1 The details of the two room building are shown in the Fig.Q.1. Estimate the quantities and cost of the following items of works:
- Earth work excavation for foundation in ordinary soil at Rs.300/m³.
 - Cement concrete bed 1:4:8 for wall foundations at Rs.2500/m³
 - SSM (Size Stone Masonry) in CM 1:8 for footings and basement foundation at Rs.1800/m³
 - First class BBM (Burst Brick Masonry) work for super structure in CM 1:6 at Rs.2000/m³
 - RCC 1:1 $\frac{1}{2}$:3 root slab at Rs.3000/m³.
- (16 Marks)

Fig.Q.1



Important Note : 1. On completing your answers, compulsorily draw diagonal cross lines on the remaining blank pages.
2. Any revealing of identification, appeal to evaluator and /or equations written eg, 42+8 = 50, will be treated as malpractice.

OR

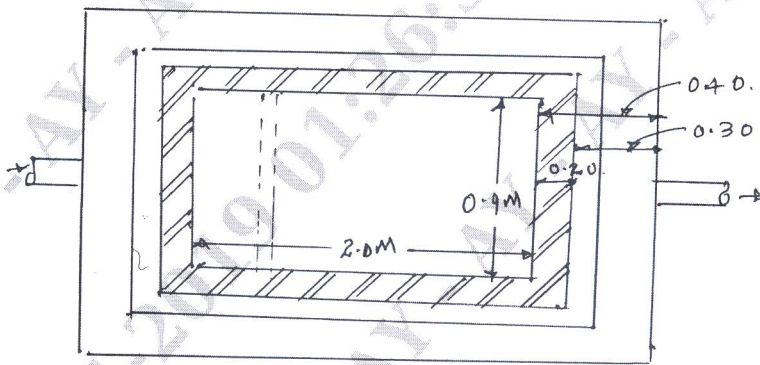
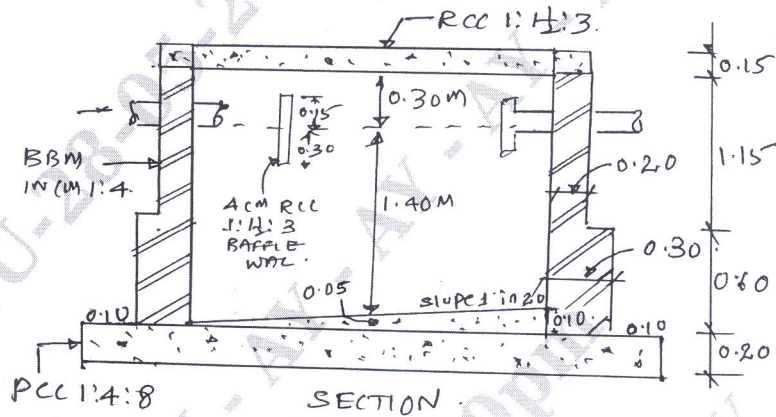
- 2 What are the different types of estimates? Explain any three different types of estimation. (16 Marks)

Module-2

- 3 The details of septic tank are shown in the Fig.Q.3. Estimate the quantities for the following items of work and cost of abstract:

- i) Earthwork in excavation for foundation hard soil at Rs.400/m³
- ii) PCC 1:4:8 for bed concrete at Rs.2500/m³
- iii) BBM in CM 1:4 for side walls at Rs.2200/m³
- iv) RCC 1:1 $\frac{1}{2}$:3 for cover slab at Rs.3000/m³

(16 Marks)



PLAN

Fig.Q.3

OR

- 4 Estimate the quantities and cost of earth work for a portion of the road from the following data. Formation width of the road is 10m side slopes are 2:1 in filling and 1.5:1 in cutting. The cost of filling is Rs.180/m³ and cutting Rs.120/m³.

Ch. (m)	0	40	80	120	160	200	240	280
RL of GL (m)	100.60	100.20	99.80	100.20	100.80	101.90	102.40	102.50
RL of FL (m)	101.00	← Raising Gradient 1 in 400 →						

(16 Marks)



15CV81

Module-3

5 Write the detailed technical specifications for the following:

- i) Earth work excavation for foundation
- ii) Burnt Brick Masonry in CM 1:6
- iii) Plastering in CM 1:6 to interior surface
- iv) RCC work proportion 1:2:4.

(16 Marks)

OR

6 Carryout the rate analysis for the following:

- i) Earth work excavation for foundation in ordinary soil.
- ii) P.C.C. 1:4:8 for foundation using 40mm and down size aggregate.
- iii) Coursed rubble masonry in CM 1:6.
- iv) RCC $1:1\frac{1}{2}:3$ for roof slab.

(16 Marks)

Module-4

7 Explain the procedure of tendering and award of works in civil engineering projects.

(16 Marks)

OR

8 What are the different types of contracts? Explain any three types of contracts.

(16 Marks)

Module-5

9 Write short notes about any four of the following:

- i) Performance security
- ii) Liquidated damages
- iii) Contract management
- iv) Breach of contract
- v) Mobilization and equipment advances.

(16 Marks)

OR

10 a. What is the difference between the cost, estimate and value?

(06 Marks)

b. Explain the methods of valuation.

(10 Marks)
