

PART - C

Q.No.5 Following figure 2 shows the details of screw jack. Assemble the parts of screw jack and draw i) Front view in half section ii) top view. **(50 Marks)**

Q.No.6 Details of connecting rod are shown in figure 3. Assemble the parts and draw the following views. i) Sectional front view ii) Top view. **(50 Marks)**

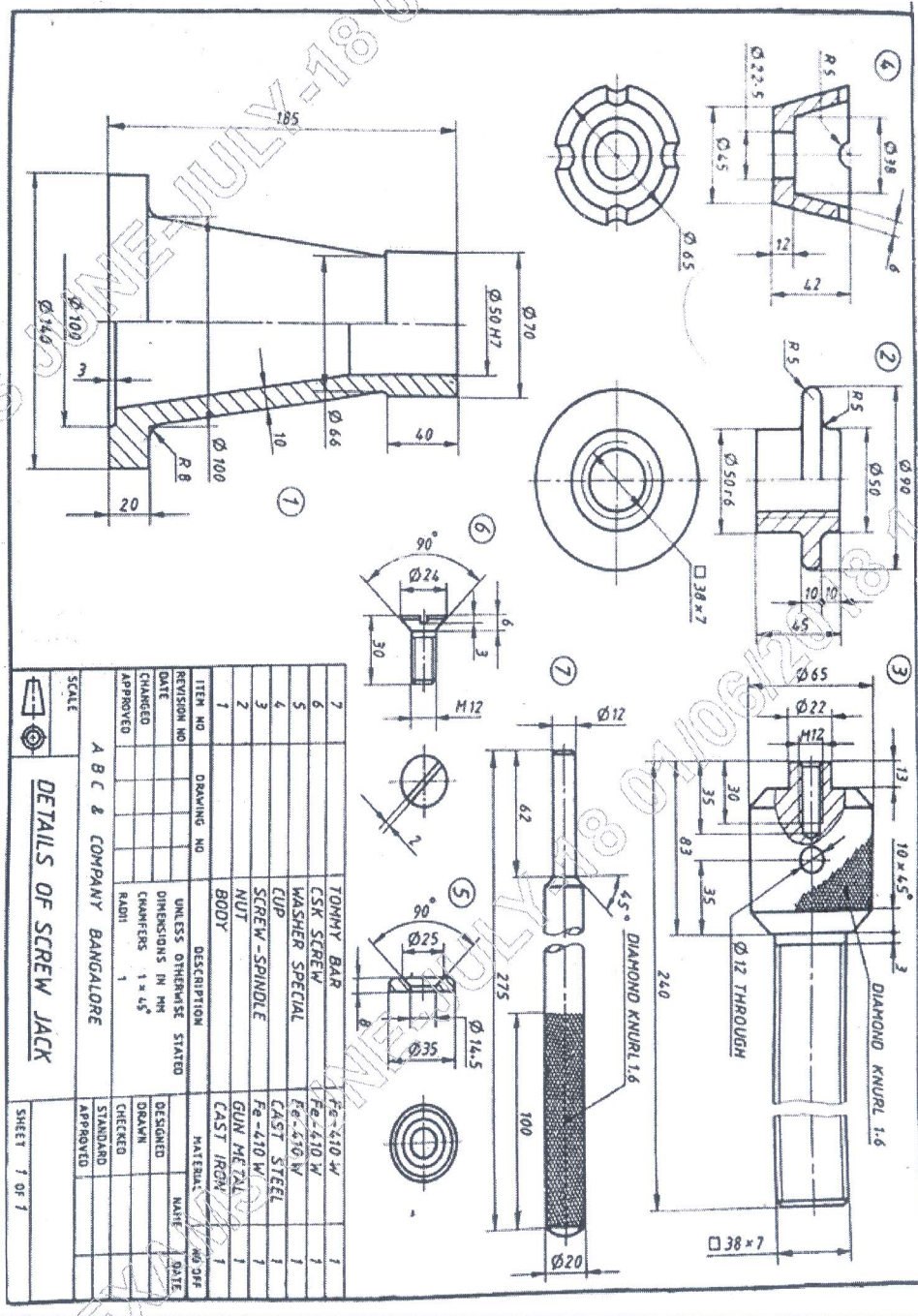


Figure 2

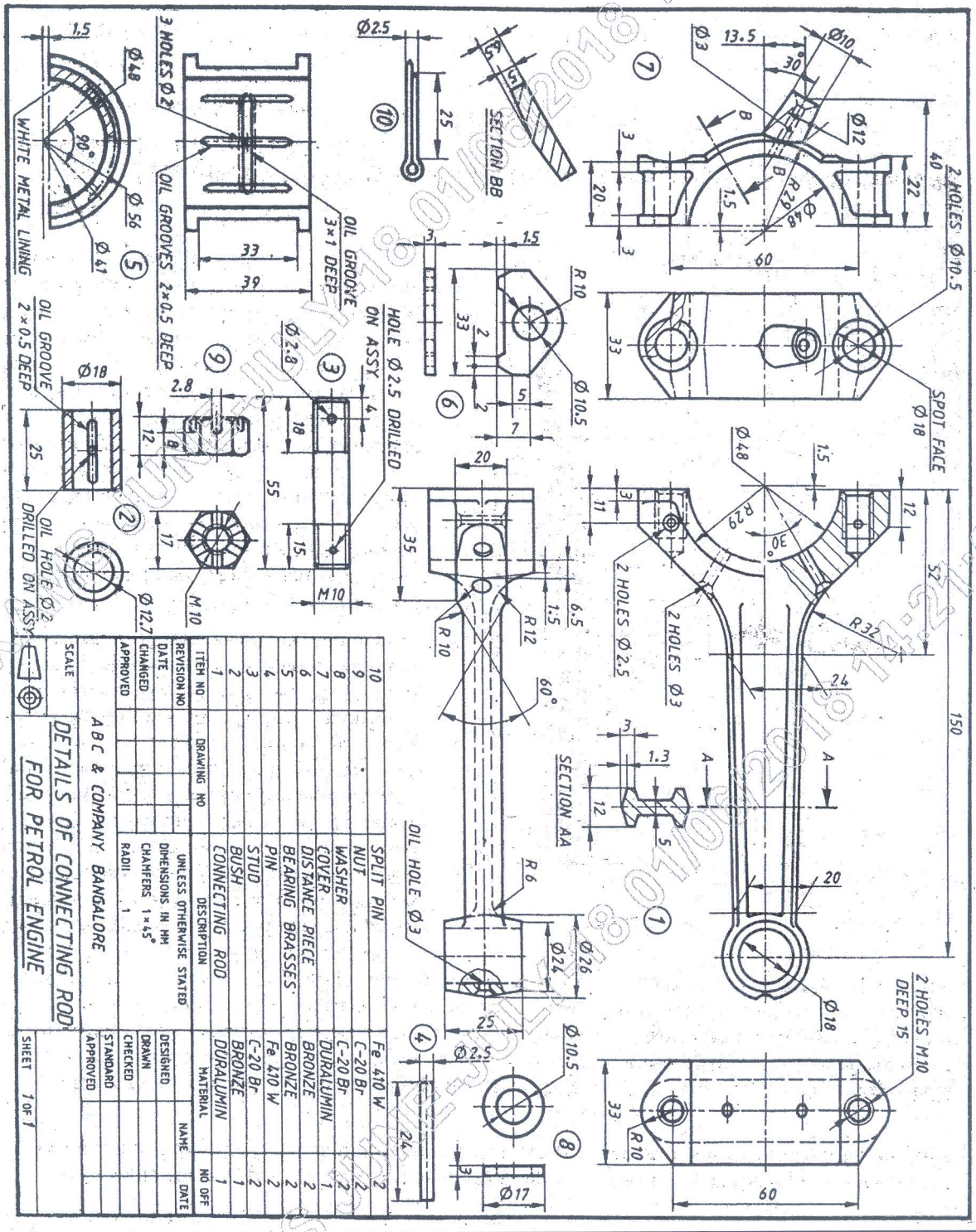


Figure 3

--	--	--	--	--	--	--	--	--	--

Fourth Semester B.E. Degree Examination, June 2018

(Automobile Engineering)

COMPUTER AIDED MACHINE DRAWING

Time: 3 Hours

Max. Marks: 80

- Note:** 1. Answer any ONE question from each of the parts A, B and C.
 2. Use **FIRST ANGLE** projection only.
 3. Missing data if any may suitably be assumed.
 4. All the calculations should be on answer sheet supplied.
 5. All the dimensions are in mm.
 6. **Part C Assembled View should be in 3D and other 2 views in 2D.**

PART – A

Q.No.1 A cone of base diameter 50mm and axis 70mm long is resting on its base on HP. It is cut by a section plane perpendicular to the VP and inclined at 45° to the HP. The VT of the section plane passes through the axis at a point 35mm above the ground. Draw the sectional view from above, the view from the front and the true shape of section. **(15 Marks)**

Q.No.2 Draw two views of square headed bolt with nut for a 30mm diameter bolt. Take length of the bolt equal to 125mm. **(15 Marks)**

PART - B

Q.No.3 Draw the top view and sectional front view of double riveted lap joint with chain arrangement. The thickness of the plate is 9mm. Show at least 3 rivets in each row. **(15 Marks)**

Q.No.4 Draw the sectional front view of a knuckle joint to connect two shafts of diameter 20mm. Indicate dimensions. **(15 Marks)**

PART - C

Q.No.5 Following figure 1 shows the details of machine vice. Assemble the parts of machine vice and draw i) Front view in half section ii) top view. **(50 Marks)**

Q.No.6 Details of Plummer block are shown in figure 2. Assemble the parts and draw the following views. i) Sectional front view ii) Top view. **(50 Marks)**

